

WebSDR, PhantomSDR Plus Server and KiwiSDR

Installed and operated by HB9RYZ

Lucerne

JN47GA at 1'660m

Wellbrook Loop ALA1530NL

30 kHz – 30 MHz

Diamond X50N
2m/70cm

<https://www.hb9ryz.ch/websdr-receivers/index.html>

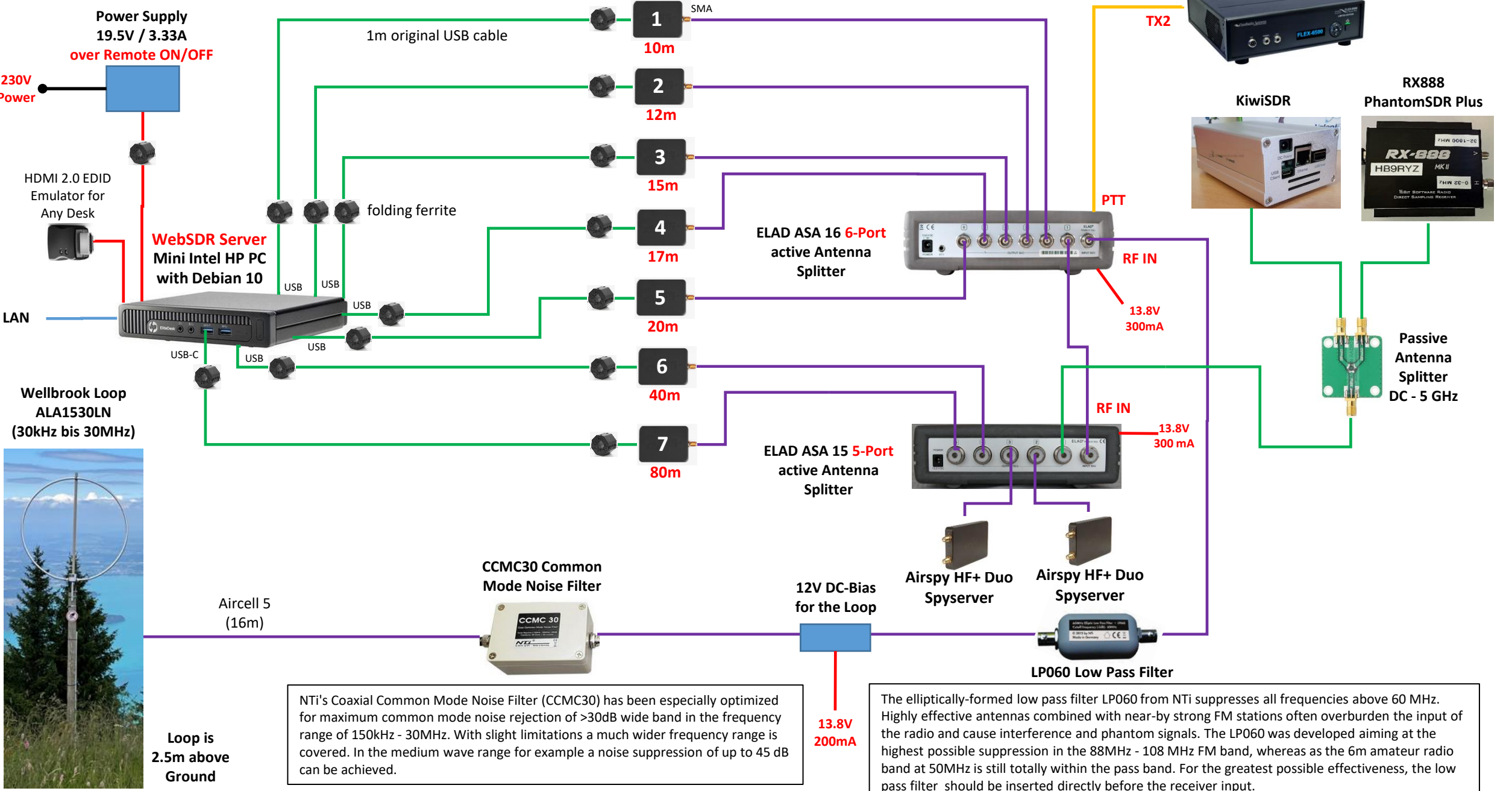
WebSDR, PhantomSDR Plus Server and KiwiSDR



<https://www.hb9rvz.ch/websdr-receivers/index.html>

BluePrint WebSDR Server's Rigi Scheidegg

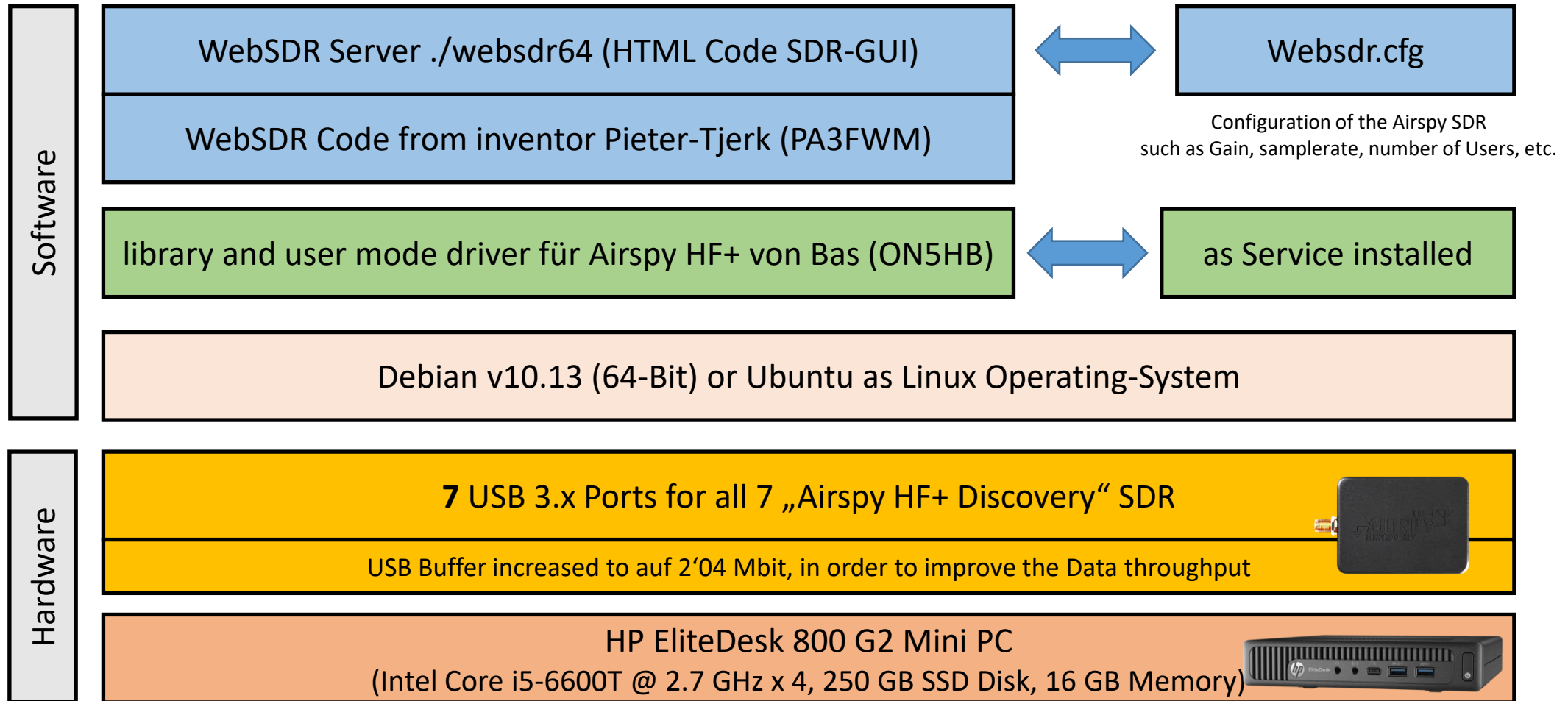
HB9RYZ
www.hb9ryz.ch



NTI's Coaxial Common Mode Noise Filter (CCMC30) has been especially optimized for maximum common mode noise rejection of >30dB wide band in the frequency range of 150kHz - 30MHz. With slight limitations a much wider frequency range is covered. In the medium wave range for example a noise suppression of up to 45 dB can be achieved.

The elliptically-formed low pass filter LP060 from NTI suppresses all frequencies above 60 MHz. Highly effective antennas combined with near-by strong FM stations often overburden the input of the radio and cause interference and phantom signals. The LP060 was developed aiming at the highest possible suppression in the 88MHz - 108 MHz FM band, whereas as the 6m amateur radio band at 50MHz is still totally within the pass band. For the greatest possible effectiveness, the low pass filter should be inserted directly before the receiver input.

The WebSDR Hardware- and Software-Layer's



with 35 users at the same time, the CPU load is only **22%**. I set the concurrent user limit to **100**

WebSDR Server HF – 10m,12m,15m,17m,20m,40m, and 80m - Rigi Scheidegg – 1'660m

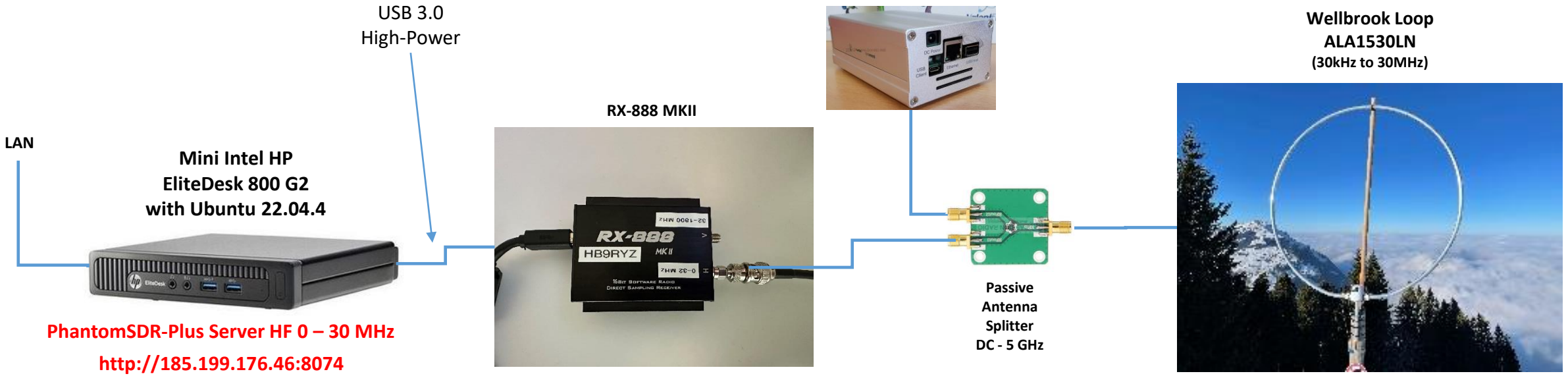
For the HAM community, our WebSDR server is available free of charge for reception via the Wellbrook Loop ALA1530LN.

Link: <http://185.199.176.46:8091>



The screenshot shows the WebSDR interface for Rigi Scheidegg. At the top, it displays the title "WebSDR Rigi Scheidegg at 1'660m in the Swiss Alps by HB9RYZ with 7 Airspys: click to see location JN47GA". Below this is a login field and various control options like "Bands: All Bands One Band NO", "Waterfall: Java HTML5", and "Background Picture ON/OFF". The main display is a waterfall plot showing frequency activity from 2000 to 2450 kHz. At the bottom, there are control panels for "Band" (set to 80m), "Frequency Tuning & Mode" (showing 14199.00 kHz), "Waterfall Settings", "Memories", and "Tube & DSP & Audio" (including volume and DSP noise reduction controls). A status bar at the very bottom indicates "This WebSDR is currently being used by 16 user(s) simultaneously".

PhantomSDR Plus 0-30 MHz WebSDR Server



PhantomSDR-Plus Server HF 0 – 30 MHz
<http://185.199.176.46:8074>






KiwiSDR HF 0 – 30 MHz

HB9RYZ
www.hb9ryz.ch

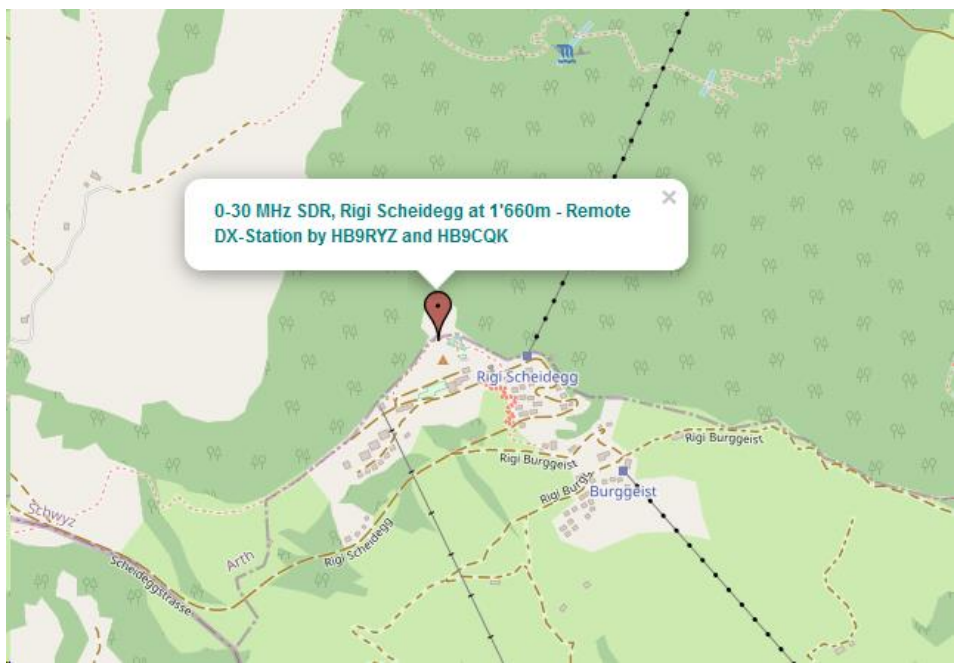
Direct Access: <http://185.199.176.46:8073>

KiwiSDR Map: <http://kiwisdr.com/public>

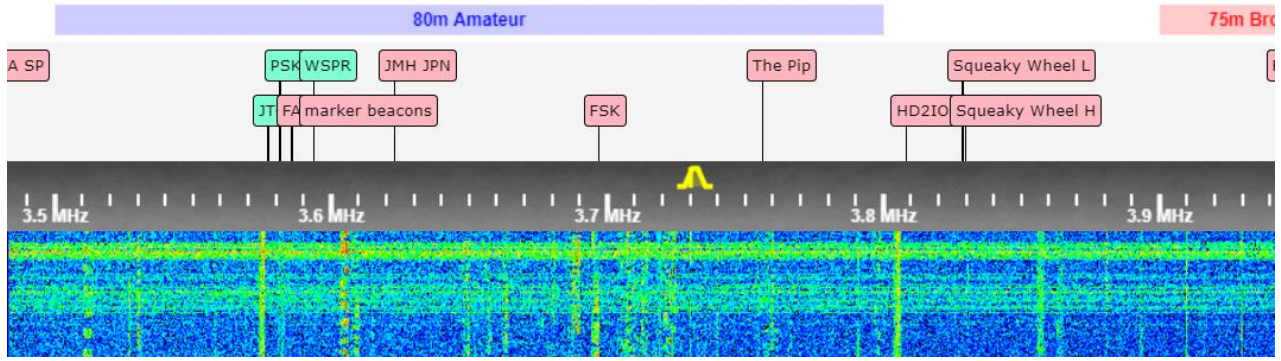
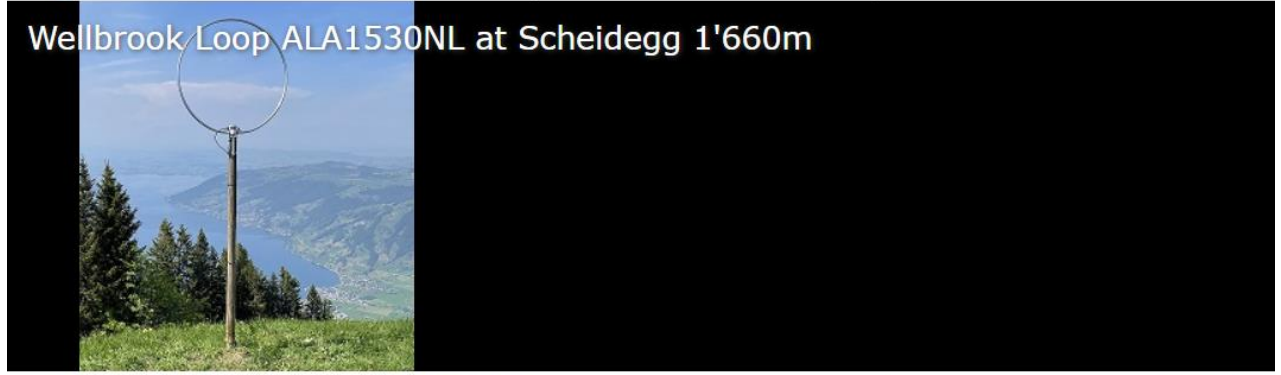


 **0-30 MHz SDR, RIGI SCHEIDEGG AT 1'660M - REMOTE DX-STATION BY HB9RYZ AND HB9CQK**
<http://185.199.176.46:8073>
KiwiSDR v1.436  DRM (0 / 4 users) 

KiwiSDR Map: <http://rx.linkfanel.net>

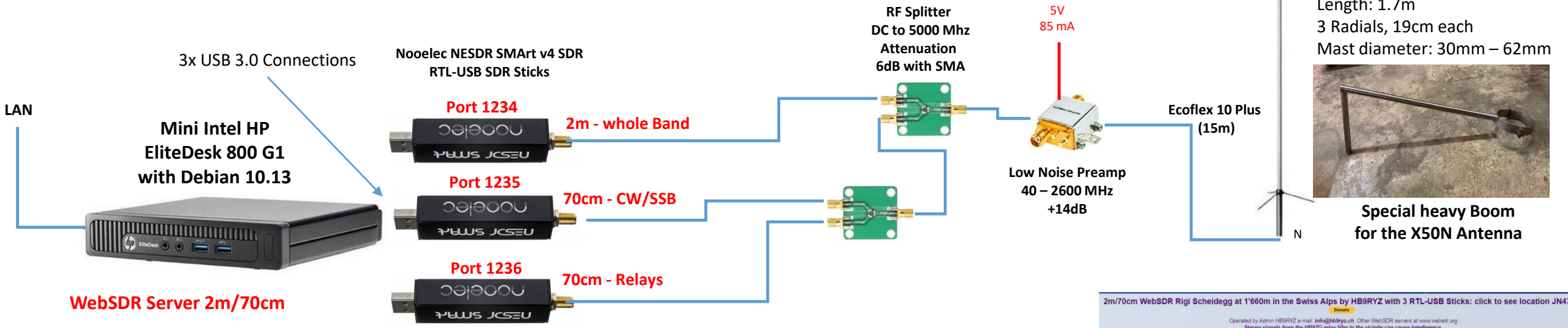


 **KiwiSDR at Rigi Scheidegg 1'660m operated by HB9RYZ and HB9CQK**
Rigi Scheidegg | Grid [JN47GA](#), ASL 1660m, [map], SNR 22:11 dB
[@bluebison.net](#) Antenna: INFO: Wellbrook Loop ALA1530NL "black lines" in the spectrum occur when we send with our F



WebSDR for 2m and 70cm at 1'660m

HB9RYZ
www.hb9ryz.ch



Antenna
 Diamond X50N
 Weight: 0.9kg
 Length: 1.7m
 3 Radials, 19cm each
 Mast diameter: 30mm – 62mm



Special heavy Boom for the X50N Antenna

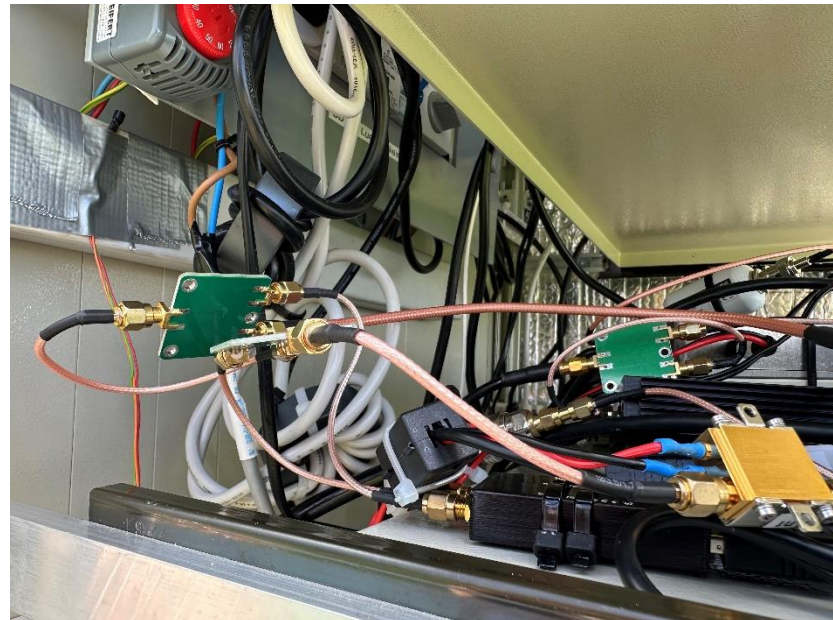
WebSDR Server 2m/70cm
<http://185.199.176.46:8092>

Active Bands:
 2m – whole Band
 70cm – CW/SSB
 70cm - Relays

The NESDR SMART usb dongle is the new improved version of the famous RTL-SDR USB stick with the RTL2832U chipset and R820T2 and tuner, to receive all frequencies from **24 to 1700MHz**

Improvements of the RTL-SDR NESDR Smart:

- 0.5ppm TCXO for better stability and accuracy
- RF voltage regulator and shielded inductor
- Integrated radiator to cool the usb stick
- Antenna Connector SMA female
- Aluminum housing to protect against harmful interference



2m/70cm WebSDR Rigi Scheidegg at 1'660m in the Swiss Alps by HB9RYZ with 3 RTL-USB Sticks: click to see location JN47GA

Operated by Admin HB9RYZ e-mail: info@hb9ryz.ch Other WebSDR servers at www.websdr.org
 Strong signals from the HB9RYZ relay show in the vicinity can cause interference.
 Past 10 seconds: CPUload=25.6%, 4.50 users, audio 204.1 Kbit/s, waterfall 217.8 Kbit/s, Mtp 26.2 Kbit/s

Click for more information
 Your name or callsign is: hb9ryz

Bands: All Bands One Band NO Allow Keyboard Waterfall: Java HTML5 Sound: Java HTML5 Background Picture ON/OFF

Band: 2m SSB, 70cm SSB, 70cm Relay
 Frequency Tuning & Mode: 145472.00 MHz, SSB, CW, USB, AM, FM
 Waterfall Settings: Type: waterfall, Size: small, Speed: medium, Hide labels:

This WebSDR is currently being used by 4 user(s) simultaneously compact view